

Peter Le Suer Fischer- SOLIDWORKS Design Experience

General Experience:

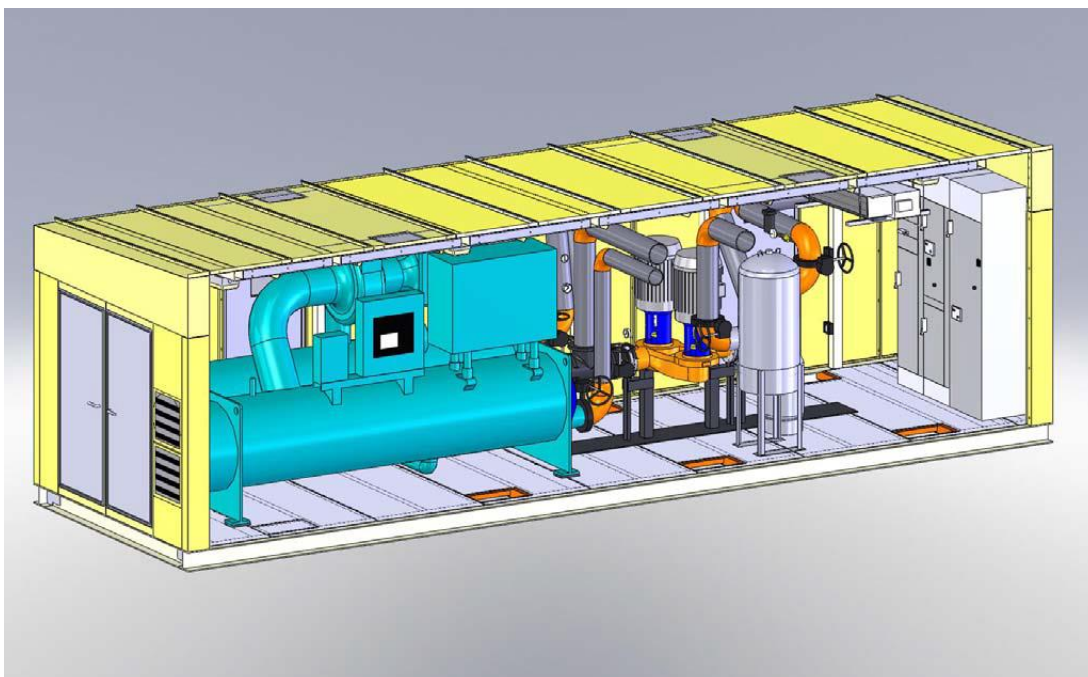
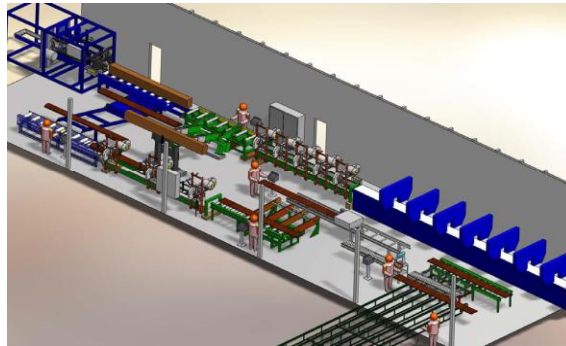
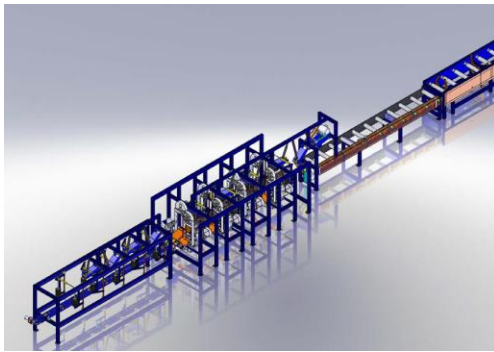
As an independent consultant I purchased my first seat on SOLIDWORKS in 2004 in order to support client needs, and have been the [Central Indiana SOLIDWORKS User Group](#) leader since 2008.

The bulk of my experience has been with solid modeling, assemblies (large and small), configurations, part stress analysis, motion studies, sheet metal surfacing and corresponding detail drawings and BoMs.

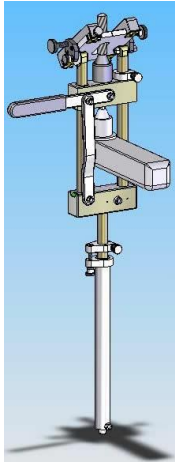
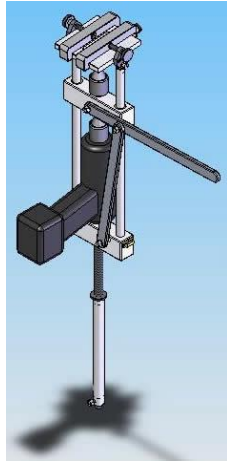
Example below included designs from concept, program management, product validation to production release.

Some Project Examples:

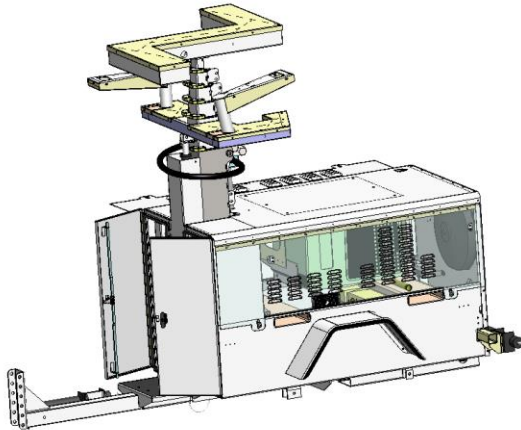
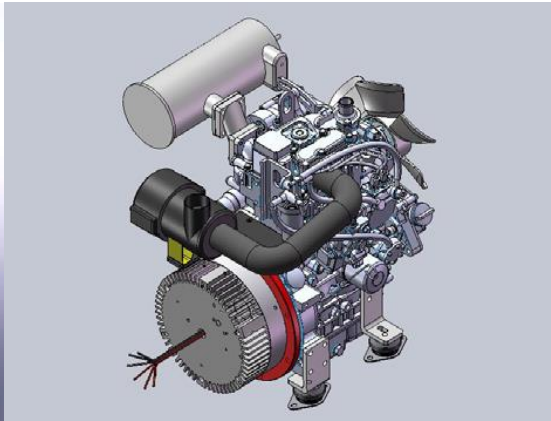
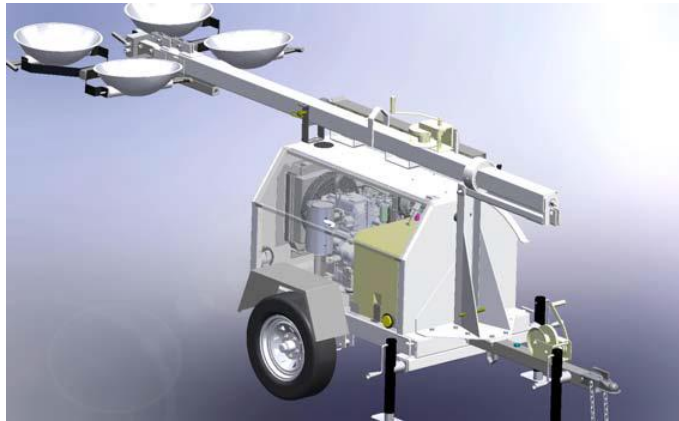
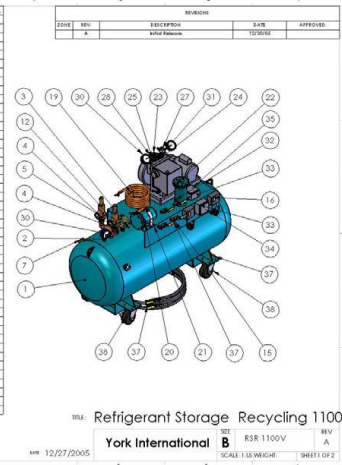
Industrial Products Industry



Peter Le Suer Fischer- SOLIDWORKS Design Experience

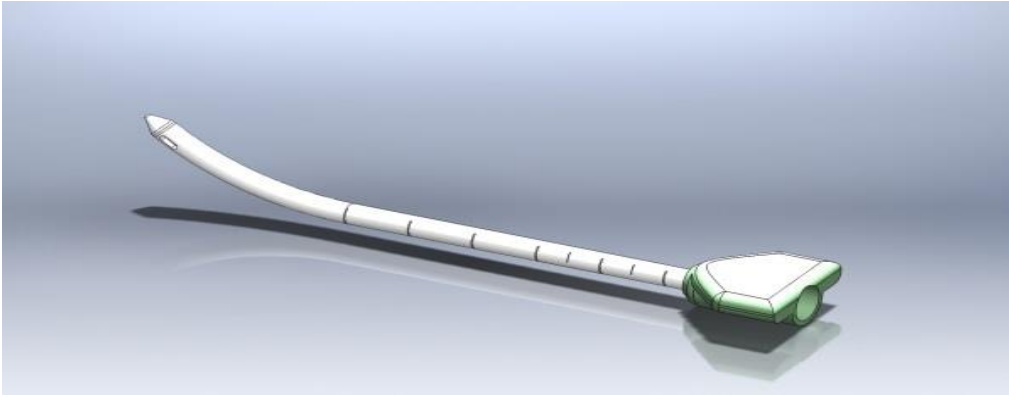
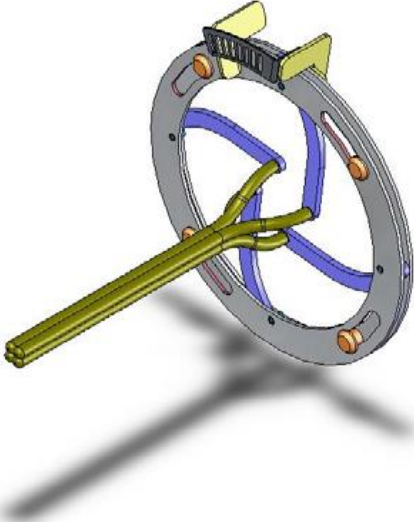
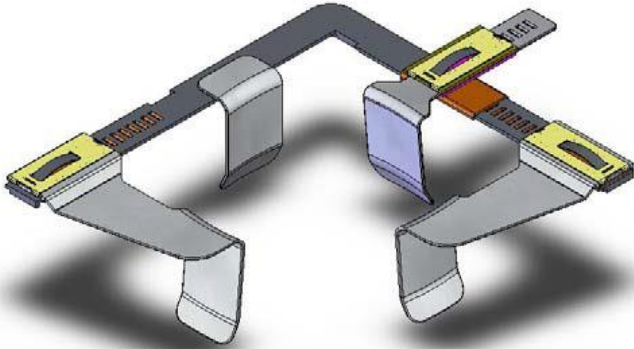


ITEM NO.	YORK No	DESCRIPTION	QTY.
1	PSR 2441 1100 20P	Park Train Receiver LP 24" x 21"	1
2	44058242	Rolling Star's RFR RFI	1
3	10303003	C-rod, Flare Level 8	1
4	10303012	Roll Level Security 1/2"	1
5	8104PH2	Valve, Relief 1/2"	2
6	710505P	Valve, Relief 1/2"	2
7	413708	PSR 01A33-001 Right Glass, 1/2"	2
8	44058242	PSR 000-142 Valve, Schrader 1/2 NPT	2
10		Pipe Elbow, 1/2" NPT M/F	1
11		Clow Nipple, 1/2" NPT	1
12	W-1163	Pipe Adaptor Straight 1" Sweat	1
13		Plug 3/8" NPT	1
15	3003P	Control Range, 1/2"	2
16	525 14282 000	525 14282 000 Low Pressure Cut-Out	2
17	RC-8164	PSR RC-8164-801 Core Filter, Color-All	1
18	21011	PSR-4385-001 Comp. 4" Condens	1
19	PS 1212	PSA-008 Condenser Coil	1
20	C-485	PSR-4C-485-000 Color-All Filter, 1-Core	1
21		Strut Framing	1
22	-5885A	PSR-5801-000 Oil Separator	1
23		Valve, 3/8" NPT, 1/2"	1
24	SBR 1A 156	PSR C881A-001 Switch Vacuum Pump w/ RFR Motor	2
25		PSR-PSR-001 1/2" NPT - SERVICE VALVE	2
26	31071	PSR 01P Valve, compressor service	2
27	31444	PSR-01A44-001 Blow-1/2" NPT RFR	1
28	31444	PSR-01A44-001 Adaptor 1/2" NPT	1
29	49081	PSR-49081-002 Pressure Gauge, Red	1
30	49082	PSR-49082-000 Pressure Gauge, Blue	2
31		Rolling 1" x 24" RFR	2
32	9101 1200	PSR-9101-000 Inlet, 1/2" NPT	1
33	323	PSR-300-529 Box, 4 1/2"	2
34	750	PSR-23765-001 Cover, 4 1/2"	2
35	14038	PS4-000-062 Switch, SCL, Pole	1
36		Roller wheel	1
37	123-5000W	PSR-0012-300 500W Cond 1/2B, Part II	10
38	44255	PSR-44255-029 Plug 2 1/2" 3 pin	1
39	80138	PSR-80138-001 Connector, Drain, Relief	1
39	4506	PSR-4506-000 Hose, Hydro-Jet 1/2" Male	2
41		Inlet, Valve, 1/2"	2
42	31126	PS4-11804-000 1/2" NPT-1/2" NPT	4
43	354-8	PSR-11626-001 Inlet, 1/2"	4
44		PS4-208 Control S, Bronze	2
45	119-42	PSR-119-42-001 Inlet, Bronze	2

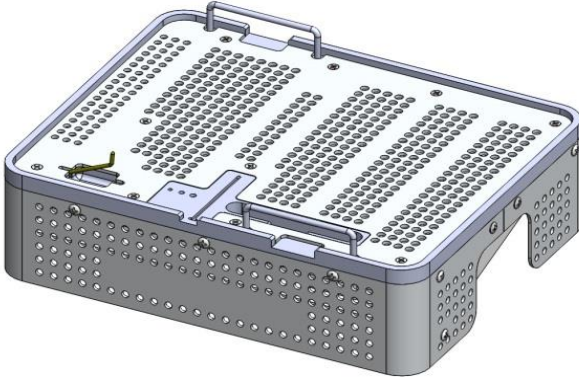
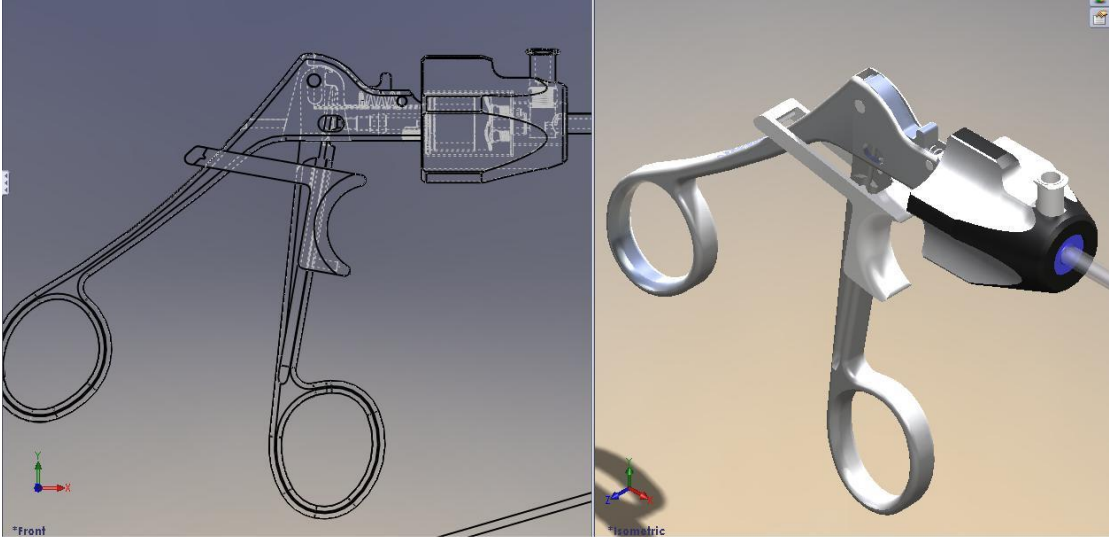


Peter Le Suer Fischer- SOLIDWORKS Design Experience

Medical Devices Industry



Peter Le Suer Fischer- SOLIDWORKS Design Experience



Peter Le Suer Fischer- SOLIDWORKS Design Experience

Automotive Industry

